

Ellis Pendant Technical Guide



Introduction

Our pendant, Ellis, is a long-range radio pendant that is compatible with all Careium alarm units. Worn around the neck on a stainless-steel chain, Ellis looks more like jewellery. Ellis is built on the same proven technology as all our other pendants and is has been designed for those who want a pendant alarm that does not look like a traditional alarm. It is waterproof (IP67) and uses a two-way transceiver that uniquely monitors the connection with the social alarm keeping you safe 24 hours a day.

How does it work?

Ellis features two-way data communication to reassure users by confirming that the alarm has been acknowledged. When an alarm is activated, the LED on the pendant lights up. Once the signal has been received by the alarm unit, the LED changes colour. Information regarding battery life and range are automatically sent to the alarm unit to ensure that the user will always be able to trigger an alarm. The battery is replaceable, thus minimising replacement cost and maximising efficiency.

Ellis is compatible with all of Careium's current alarm units: CareIP®Mobile, CareMobile, Eliza & Eliza S.

What problem does it solve?

A pendant connected to an alarm unit allows people to remain living in their own home longer, safe in the knowledge that help is available from Careium at the touch of a button. It also allows carers to leave the home, or to get a good night's sleep, confident that they will be alerted if an emergency occurs. Ellis is worn as a necklace.

Ellis radio trigger

- Range covers a normal house or flat.
- Confirmation of successful alarm transmission.
- Lithium battery for long life, up to 5 years.
- Automatic monitoring of battery and function. Careium is alerted in the event of a fault.
- Battery replaceable by authorised personnel.



Technical data

CAREIUM ELLIS RADIO TRIGGER	
Frequency	869.2 MHz
Water resistance	According to IP67 standard
Battery	Battery Lithium CR2477 (replaceable)
Automatic alarm test	Yes, selectable
Dimensions	44 x 38 x 12 mm

EU declaration of conformity

Hereby, Careium declares that the radio equipment type is in compliance with Directives: 2014/53/EU and 2011/65/EU. The full text of the EU declaration of conformity is available at the following internet address: www.careium.com/dofc

Product information

This product is a part of a social alarm system intended to initiate a call in case of emergency or if assistance is needed. Frequency band: 869.200-869.250 MHz.

Radio-frequency power: max. 10 mW (10 dBm) Environmental class: 1

Approval

  -marked. Complies with relevant standards.

Safety information

- The unit is waterproof for use in shower or bath (IP67).
- Battery replacement may be performed only by authorised persons.
- If you have any questions about using this product together with an implanted medical device, consult your health care provider.

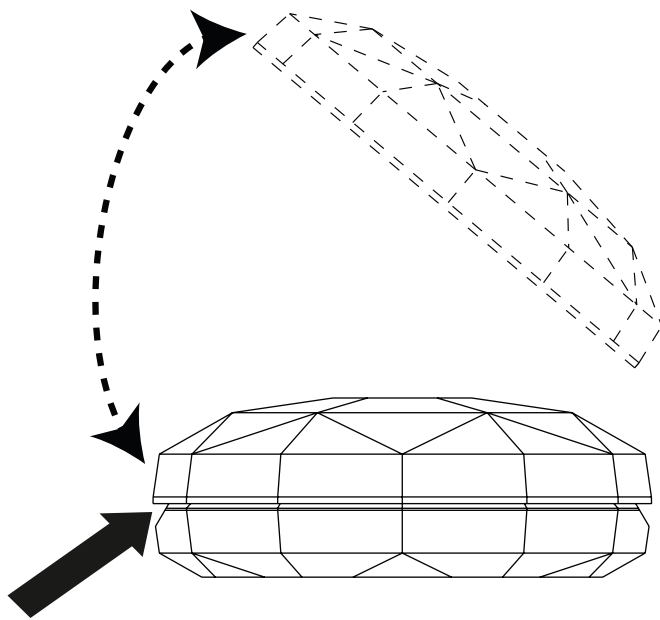
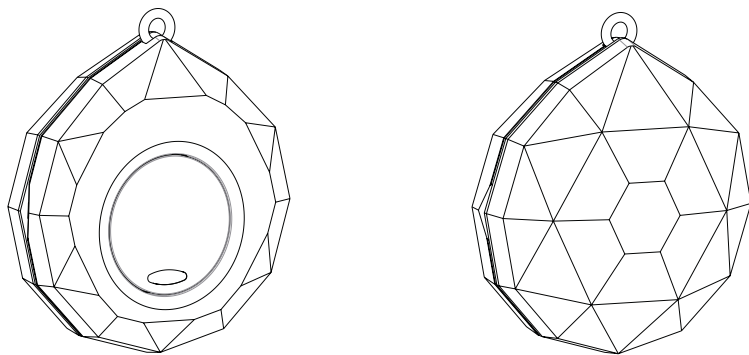
Environmental information

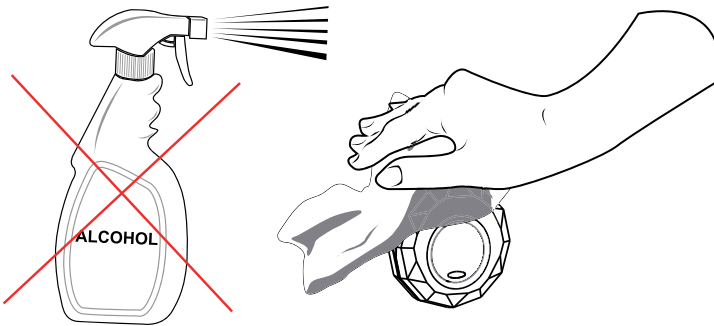
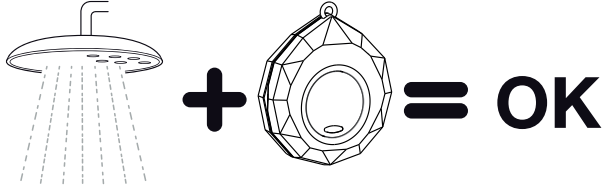
This product complies with the requirements of the EU directive 2006/66/EC (Batteries) and 2012/19/EU (WEEE) and should not be disposed of with other household waste. Always recycle your used electronic products, batteries, and packaging materials to dedicated collection points.

UK Declaration of Conformity

Hereby, Careium declares that the radio equipment is in compliance with the relevant UK legislation. The full text of the UK declaration of conformity is available at the following internet address: www.careium.com/dofc

Quick start guide





JUNE 2023

Careium
Aspinall House,
Walker Office Park,
Blackburn,
Lancashire,
BB1 2QE

Call: 0300 333 6511
Visit: www.careium.co.uk
Email: uk.info@careium.com

