

Smoke Detector Quick Install Guide



The Careium Smoke Detector i10 provides increased reassurance by not only sensing smoke in the home and raising an audible alarm but also notifying our 24-hour monitoring centre staff.

Prior to installation, ensure that the service user details are updated at careium.co.uk/service-user-details or by contacting Customer Services at **0300 333 6511**.

Any issues? Contact our Customer Services Team on 0330 333 6511

The i10 detector operates under effective temperature and humidity ranges and complies with EU directives 2012/19/EU and 2006/66/EC addressing recycling responsibilities. The device is marked with the WEEE symbol for recycling in EU member states and conforms to directives 2014/53/EU and 2011/65/EU for radio equipment.

Careium provides no additional warranties beyond the product terms. Contact Careium at **0300 333 6511** or visit careium.co.uk for further assistance or recycling details.

IMPORTANT: Please refer to the technical guide for more detailed instructions.

1. PLACEMENT OF THE SMOKE ALARM

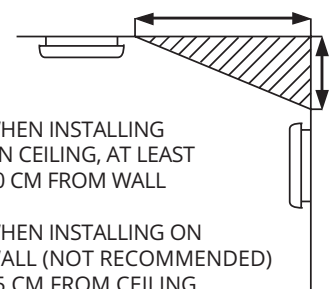
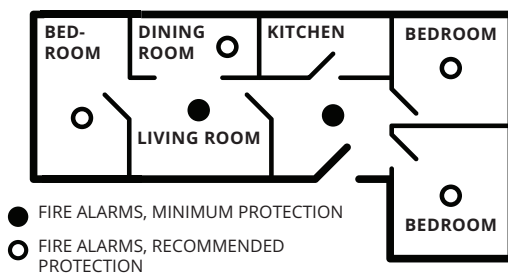
Placement of the smoke detector is crucial—avoid areas like kitchens, bathrooms, areas with high humidity, or near fans.

It should be installed at a 2.5cm to 30cm distance below the ceiling.

At least 50 cm from walls or light fittings.

If put in a hallway, corridor or entrance, the device must not be more than 3m from any bedroom door so it can be heard through closed doors.

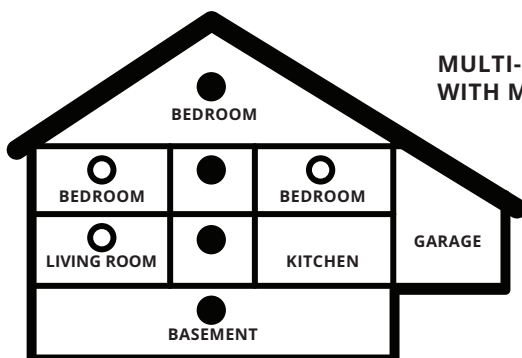
SINGLE-STOREY HOUSE WITH TWO BEDROOMS



WHEN INSTALLING ON CEILING, AT LEAST 50 CM FROM WALL

WHEN INSTALLING ON WALL (NOT RECOMMENDED) 15 CM FROM CEILING

"DEAD ZONE" - WITH STATIONARY AIR



MULTI-STOREY BUILDING WITH MULTIPLE BEDROOMS



WHEN INSTALLING ON SLOPING CEILING AT LEAST 1 M HORIZONTAL FROM ROOF RIDGE

2. HOW TO INSTALL THE SMOKE ALARM

- 1 Separate the smoke detector from the mounting plate - press the small locking wedge located on the side and turn the alarm anti-clockwise while holding the base.
- 2 Fix the base mounting plate to the ceiling using screws or tape/adhesive.
- 3 Fix the base unit to the mounting plate by twisting in place.
- 4 Activate the smoke detector base: press and hold the button shown in Fig. 1A. Then turn on the power switch, see Fig. 1B. The push button (1A) now flashes quickly. Release the button. Press the button again. The button will light up for a while and then go out. The smoke detector is now activated.
- 5 Connect the cable by inserting the white connector on the end of the cable to the 3 pin slot connector on the base.
- 6 Align the arrow on the back of the smoke detector with the arrow inside the base unit, then turn clockwise until the locking wedge clicks into place. The built-in battery will now automatically activate and the smoke detector will start up with an internal silent test.
- 7 Activate the radio learning mode in the personal alarm unit/system. **Follow your personal alarm user guide to do this.**
- 8 Once in pairing mode, press the test button on the smoke alarm once, this will connect the smoke detector with the personal alarm base unit.
- 9 Test the entire set up by pressing the test button shown in Fig. 2 three times within two minutes to send an alarm to us at Careium and wait for the operator to respond to the alarm then let them know you are doing a test.

Fig. 1

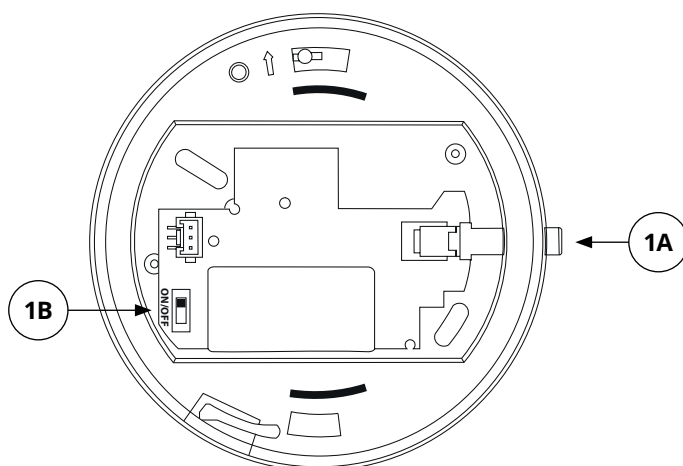
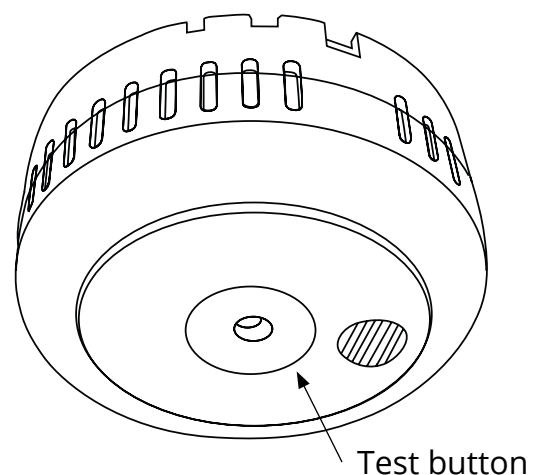


Fig. 2



3. MAINTENANCE OF YOUR SMOKE ALARM

- A regular smoke detector maintenance program will help keep your alarm in good working order.
- Vacuum the alarm every six months and wipe with a damp cloth to prevent the sensors from clogging.
- Do not paint the alarm.
- Cover the smoke detector when performing dusty work, such as sanding floors or walls.
- A smoke detector is a sensitive life-saving device. The lifetime of the alarm can be significantly reduced by not regularly cleaning and maintaining it according to the instructions. Lack of reasonable care may also cause malfunction and may void the warranty.